

Mini-sensor with housing and connection cable, analogue or digital output signal.  
Minimum size and low weight combined with high measuring accuracy.

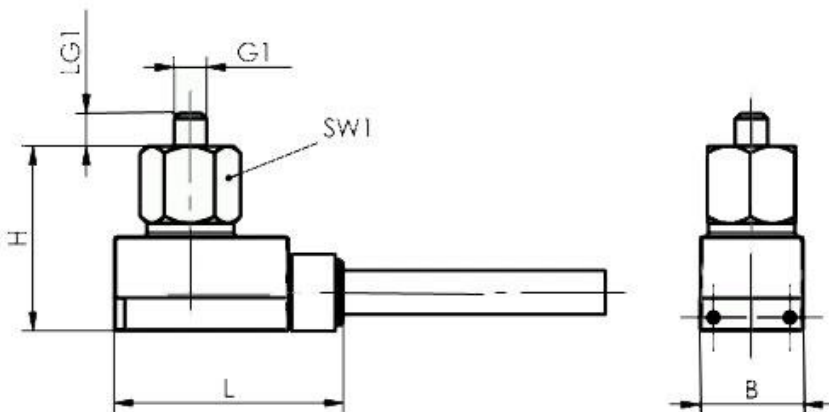


VS 200

Applications:

- Measurement of vacuum values close to the suction pad
- Remote evaluation of the signals
- Processing of the output signals in a PLC, for example

Measured medium: Non-aggressive gases; dry, oil-free air  
 Measuring range: -1 to 0 bar  
 Max. overpressure resistance: 5 bar  
 Repeatability:  $\pm 1\%$  of fullscale value  
 Output signal: Analogue: 1 to 5 V  
 Electrical connection: cable  
 Voltage: 10 to 24 V DC  
 Protection: IP 40  
 Temperature influence:  $\pm 3\%$  of fullscale value  
 Operating temperature: 0 to 50 °C  
 Cable length: 3 m


**Vacuum sensor, analogue**

Art. No.	B	G1	H	L	LG1	SW1	Weight
VS 200	9.5	M5-male	16.9	21.0	5.0	8.0	5.0 g

All dimensions mm.